



# 3V/5V, 4Ω, Wideband Quad 2:1 Analog Multiplexer

MAX4674

## General Description

The MAX4674 is a low-voltage CMOS analog switch containing four 2:1 multiplexers/demultiplexer. When powered from a single +5V supply, it features a low 4Ω max on-resistance (RON), 0.4Ω max RON matching between channels, and 0.8Ω RON flatness over the entire signal range. Off-leakage current is only 0.5nA max at +25°C.

The MAX4674 features fast turn-on (tON) and turn-off (tOFF) times of 18ns and 6ns, respectively, and is available in QFN, QSOP, TSSOP, and SO packages.

This low-voltage multiplexer operates with a +1.8V to +5.5V single supply. All digital inputs have +0.8V and +2.4V logic thresholds, ensuring TTL/CMOS-logic compatibility with +5V operation.

## Applications

- 10/100 Base-T
- ATM Switching
- Audio and Video Signal Routing
- Low-Voltage Data-Acquisition Systems
- Communications Circuits
- Relay Replacement

## Features

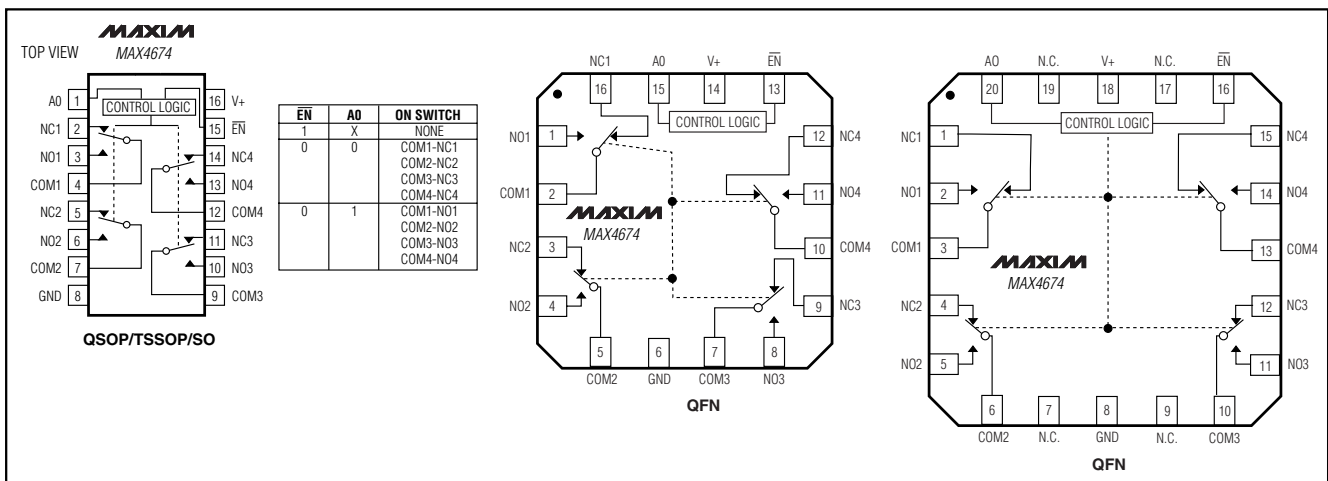
- ◆ **Guaranteed On-Resistance**  
4Ω max (+5V Supply)  
6Ω max (+3V Supply)
- ◆ **Guaranteed Match Between Channels**  
0.4Ω max
- ◆ **Guaranteed Flatness Over Signal Range**  
0.8Ω max
- ◆ **1.8V Operation**  
RON = 100Ω typ Over Temperature  
tON = 51ns typ  
tOFF = 13ns typ
- ◆ **Guaranteed Low Leakage Currents**  
0.5nA max at +25°C
- ◆ **Single-Supply Operation from +1.8V to +5.5V**
- ◆ **Rail-to-Rail® Signal Handling**
- ◆ **TTL/CMOS-Logic Compatible**
- ◆ **Crosstalk: -114dB (1MHz)**
- ◆ **Off-Isolation: -67dB (1MHz)**
- ◆ **4mm × 4mm QFN Package**

## Ordering Information

PART	TEMP RANGE	PIN-PACKAGE
MAX4674EEE	-40°C to +85°C	16 QSOP
MAX4674EUE	-40°C to +85°C	16 TSSOP
MAX4674ESE	-40°C to +85°C	16 Narrow SO
MAX4674EGE	-40°C to +85°C	16 QFN
MAX4674EGP	-40°C to +85°C	20 QFN

Rail-to-Rail is a registered trademark of Nippon Motorola, Ltd.

## Pin Configuration/Functional Diagram/Truth Table



**For pricing, delivery, and ordering information, please contact Maxim/Dallas Direct! at 1-888-629-4642, or visit Maxim's website at www.maxim-ic.com.**

# 3V/5V, 4Ω, Wideband Quad 2:1 Analog Multiplexer

## ABSOLUTE MAXIMUM RATINGS

V+, A0, $\overline{EN}$ .....	-0.3V to +6V	16-Pin Narrow SO (derate 8mW/°C above +70°C) ....	640mW
COM_, NO_, NC_ (Note1).....	-0.3V to (V + 0.3V)	16-Pin QFN (derate 18.5mW/°C above +70°C) .....	1481mW
Continuous Current COM_, NO_, NC_ .....	±100mA	20-Pin QFN (derate 20mW/°C above +70°C) .....	1600mW
Peak Current (COM_, NO_, NC_) (pulsed at 1ms, 10% duty cycle) .....	±300mA	Operating Temperature Range	
Continuous Power Dissipation (T <sub>A</sub> = +70°C)		MAX4674E_E .....	-40°C to +85°C
16-Pin QSOP (derate 8.3mW/°C above +70°C) .....	667mW	Die Temperature .....	+150°C
16-Pin TSSOP (derate 6.7mW/°C above +70°C) .....	533mW	Storage Temperature Range .....	-65°C to +150°C
		Lead Temperature (soldering, 10s) .....	+300°C

**Note 1:** Signals on NO\_, NC\_, and COM\_ exceeding V+ or GND are clamped by internal diodes. Limit forward-diode current to maximum current rating.

Stresses beyond those listed under "Absolute Maximum Ratings" may cause permanent damage to the device. These are stress ratings only, and functional operation of the device at these or any other conditions beyond those indicated in the operational sections of the specifications is not implied. Exposure to absolute maximum rating conditions for extended periods may affect device reliability.

## ELECTRICAL CHARACTERISTICS—Single +5V Supply

(V+ = +4.5V to +5.5V, V<sub>IH</sub> = 2.4V, V<sub>IL</sub> = 0.8V, T<sub>A</sub> = T<sub>MIN</sub> to T<sub>MAX</sub>, unless otherwise noted. Typical values at T<sub>A</sub> = +25°C.) (Notes 2, 9)

PARAMETER	SYMBOL	CONDITIONS	MIN	TYP	MAX	UNITS	
<b>ANALOG SWITCH</b>							
Analog Signal Range	V <sub>COM_</sub> , V <sub>NO_</sub> , V <sub>NC_</sub>		0		V+	V	
On-Resistance	R <sub>ON</sub>	V+ = 4.5V, I <sub>COM_</sub> = 10mA, V <sub>NO_</sub> or V <sub>NC_</sub> = 0 to V+		2.2	4	Ω	
					5		
On-Resistance Match Between Channels (Notes 3, 8)	ΔR <sub>ON</sub>	V+ = 4.5V, I <sub>COM_</sub> = 10mA, V <sub>NO_</sub> or V <sub>NC_</sub> = 0 to V+		0.15	0.4	Ω	
					0.5		
On-Resistance Flatness (Note 4)	R <sub>FLAT (ON)</sub>	V+ = 4.5V, I <sub>COM_</sub> = 10mA, V <sub>NO_</sub> or V <sub>NC_</sub> = 0 to V+		0.5	0.8	Ω	
					1		
NO_, NC_ Off-Leakage Current (Note 5)	I <sub>NO_ (OFF)</sub> , I <sub>NC_ (OFF)</sub>	V+ = 5.5V; V <sub>COM_</sub> = 1V, 4.5V; V <sub>NO_</sub> or V <sub>NC_</sub> = 4.5V, 1V		0.5	±0.01	0.5	nA
					-1	1	
COM_ Off-Leakage Current (Note 5)	I <sub>COM_ (OFF)</sub>	V+ = 5.5V; V <sub>COM_</sub> = 1V, 4.5V; V <sub>NO_</sub> or V <sub>NC_</sub> = 4.5V, 1V		0.5	±0.01	0.5	nA
					-1	1	
COM_ On-Leakage Current (Note 5)	I <sub>COM_ (ON)</sub>	V+ = 5.5V; V <sub>COM_</sub> = 1V, 4.5V; V <sub>NO_</sub> or V <sub>NC_</sub> = 1, 4.5V, or floating		0.5	±0.01	0.5	nA
					-1	1	
<b>DIGITAL I/O (A0, <math>\overline{EN}</math>)</b>							
Input Logic High	V <sub>IH</sub>		2.4			V	
Input Logic Low	V <sub>IL</sub>				0.8	V	
Input Leakage Current	I <sub>IN</sub>	V <sub>IN</sub> = 0 or +5.5V	-0.5	1	0.5	μA	
<b>DYNAMIC</b>							
Turn-On Time (Note 5)	t <sub>ON</sub>	V <sub>NO_</sub> or V <sub>NC_</sub> = 3V, R <sub>L</sub> = 100Ω, C <sub>L</sub> = 35pF, Figure 2		10	18	ns	
					20		

# 3V/5V, 4Ω, Wideband Quad 2:1 Analog Multiplexer

MAX4674

## ELECTRICAL CHARACTERISTICS—Single +5V Supply (continued)

(V+ = +4.5V to +5.5V, V<sub>IH</sub> = 2.4V, V<sub>IL</sub> = 0.8V, T<sub>A</sub> = T<sub>MIN</sub> to T<sub>MAX</sub>, unless otherwise noted. Typical values at T<sub>A</sub> = +25°C.) (Notes 2, 9)

PARAMETER	SYMBOL	CONDITIONS	MIN	TYP	MAX	UNITS
Turn-Off Time (Note 5)	t <sub>OFF</sub>	V <sub>NO_</sub> or V <sub>N C_</sub> = 3V, R <sub>L</sub> = 100Ω, C <sub>L</sub> = 35pF, Figure 2	T <sub>A</sub> = +25°C	4	6	ns
			T <sub>A</sub> = T <sub>MIN</sub> to T <sub>MAX</sub>		8	
Break-Before-Make (Note 5)	t <sub>B B M</sub>	V <sub>NO_</sub> or V <sub>N C_</sub> = 3V, R <sub>L</sub> = 100Ω, C <sub>L</sub> = 35pF, Figure 3	T <sub>A</sub> = +25°C	5		ns
			T <sub>A</sub> = T <sub>MIN</sub> to T <sub>MAX</sub>	1		
Charge Injection	Q	V <sub>GEN</sub> = 4V, R <sub>GEN</sub> = 0, C <sub>L</sub> = 1.0nF, Figure 4		10		pC
Off-Isolation (Note 6)	V <sub>I S O</sub>	C <sub>L</sub> = 5pF, R <sub>L</sub> = 100Ω, f = 10MHz, Figure 5	f = 10MHz	-47		dB
			f = 1MHz	-67		
Crosstalk (Note 7)	V <sub>C T</sub>	C <sub>L</sub> = 5pF, R <sub>L</sub> = 100Ω, f = 10MHz, Figure 5	f = 10MHz	-68		dB
			f = 1MHz	-114		
Total Harmonic Distortion	THD	R <sub>L</sub> = 600Ω, f = 20Hz to 20kHz		0.015		%
NO <sub>-</sub> , NC <sub>-</sub> Off-Capacitance	C <sub>N O_ (OFF)</sub> , C <sub>N C_ (OFF)</sub>	V <sub>N O_</sub> , V <sub>N C_</sub> = GND, f = 1MHz, Figure 6		10		pF
COM <sub>-</sub> Off-Capacitance	C <sub>C O M_ (OFF)</sub>	V <sub>C O M_</sub> = GND, f = 1MHz, Figure 6		20		pF
COM <sub>-</sub> On-Capacitance	C <sub>(ON)</sub>	V <sub>C O M_</sub> = V <sub>N O_</sub> , V <sub>N C_</sub> = GND, f = 1MHz, Figure 6		30		pF
<b>SUPPLY</b>						
Supply Range	V+		1.8		5.5	V
Positive Supply Current	I+	V+ = +5.5V, V <sub>I N</sub> = 0 or V+		0.001	1.0	μA

## ELECTRICAL CHARACTERISTICS—Single +3V Supply

(V+ = +2.7V to +3.3V, V<sub>IH</sub> = 2.0V, V<sub>IL</sub> = 0.4V, T<sub>A</sub> = T<sub>MIN</sub> to T<sub>MAX</sub>, unless otherwise noted. Typical values at T<sub>A</sub> = +25°C.) (Notes 2, 9)

PARAMETER	SYMBOL	CONDITIONS	MIN	TYP	MAX	UNITS
<b>ANALOG SWITCH</b>						
Analog Signal Range	V <sub>C O M_</sub> , V <sub>N O_</sub> , V <sub>N C_</sub>		0		V+	V
On-Resistance	R <sub>O N</sub>	V+ = 2.7V, I <sub>C O M_</sub> = 10mA, V <sub>N O_</sub> or V <sub>N C_</sub> = 0 to V+	T <sub>A</sub> = +25°C	4	6	Ω
			T <sub>A</sub> = T <sub>MIN</sub> to T <sub>MAX</sub>		8	
On-Resistance Match Between Channels (Notes 3, 8)	ΔR <sub>O N</sub>	V+ = 2.7V, I <sub>C O M_</sub> = 10mA, V <sub>N O_</sub> or V <sub>N C_</sub> = 0 to V+	T <sub>A</sub> = +25°C	0.15	0.4	Ω
			T <sub>A</sub> = T <sub>MIN</sub> to T <sub>MAX</sub>		0.5	
On-Resistance Flatness (Note 4)	R <sub>F L A T (O N)</sub>	V+ = 2.7V, I <sub>C O M_</sub> = 10mA, V <sub>N O_</sub> or V <sub>N C_</sub> = 0 to V+	T <sub>A</sub> = +25°C	2	3	Ω
			T <sub>A</sub> = T <sub>MIN</sub> to T <sub>MAX</sub>		4	
NO <sub>-</sub> , NC <sub>-</sub> Off-Leakage Current (Note 5)	I <sub>N O_ (OFF)</sub> , I <sub>N C_ (OFF)</sub>	V+ = 3.3V; V <sub>C O M_</sub> = 1V, 3V; V <sub>N O_</sub> or V <sub>N C_</sub> = 3V, 1V	T <sub>A</sub> = +25°C	-0.5	±0.01	nA
			T <sub>A</sub> = T <sub>MIN</sub> to T <sub>MAX</sub>	-1	1	

# 3V/5V, 4Ω, Wideband Quad 2:1 Analog Multiplexer

## ELECTRICAL CHARACTERISTICS—Single +3V Supply (continued)

(V+ = +2.7V to +3.3V, V<sub>IH</sub> = 2.0V, V<sub>IL</sub> = 0.4V, T<sub>A</sub> = T<sub>MIN</sub> to T<sub>MAX</sub>, unless otherwise noted. Typical values at T<sub>A</sub> = +25°C.) (Notes 2, 9)

PARAMETER	SYMBOL	CONDITIONS	MIN	TYP	MAX	UNITS	
COM_ Off-Leakage Current (Note 5)	I <sub>COM(OFF)</sub>	V+ = 3.3V; V <sub>COM</sub> = 1V, 3V; V <sub>NO</sub> or V <sub>NC</sub> = 3V, 1V	T <sub>A</sub> = +25°C	-0.5	±0.01	0.5	nA
			T <sub>A</sub> = T <sub>MIN</sub> to T <sub>MAX</sub>	-1		1	
COM_ On-Leakage Current (Note 5)	I <sub>COM(ON)</sub>	V+ = 3.3V; V <sub>COM</sub> = 1V, 3V; V <sub>NO</sub> or V <sub>NC</sub> = 1V, 3V, or floating	T <sub>A</sub> = +25°C	-0.5	±0.01	0.5	nA
			T <sub>A</sub> = T <sub>MIN</sub> to T <sub>MAX</sub>	-1		1	
<b>DIGITAL I/O (A0, <math>\overline{EN}</math>)</b>							
Input Logic High	V <sub>IH</sub>		2.0			V	
Input Logic Low	V <sub>IL</sub>				0.4	V	
Input Leakage Current	I <sub>IN</sub>	V <sub>IN</sub> = 0 or +5.5V	-0.5	1	0.5	μA	
<b>DYNAMIC</b>							
Turn-On Time (Note 5)	t <sub>ON</sub>	V <sub>NO</sub> or V <sub>NC</sub> = 1.5V, R <sub>L</sub> = 100Ω, C <sub>L</sub> = 35pF, Figure 2	T <sub>A</sub> = +25°C	12	22	ns	
			T <sub>A</sub> = T <sub>MIN</sub> to T <sub>MAX</sub>				25
Turn-Off Time (Note 5)	t <sub>OFF</sub>	V <sub>NO</sub> or V <sub>NC</sub> = 1.5V, R <sub>L</sub> = 100Ω, C <sub>L</sub> = 35pF, Figure 2	T <sub>A</sub> = +25°C	5	8	ns	
			T <sub>A</sub> = T <sub>MIN</sub> to T <sub>MAX</sub>				10
Break-Before-Make (Note 5)	t <sub>BBM</sub>	V <sub>NO</sub> or V <sub>NC</sub> = 1.5V, R <sub>L</sub> = 100Ω, C <sub>L</sub> = 35pF, Figure 3	T <sub>A</sub> = +25°C	5		ns	
			T <sub>A</sub> = T <sub>MIN</sub> to T <sub>MAX</sub>	1			
Charge Injection	Q	V <sub>GEN</sub> = 2V, R <sub>GEN</sub> = 0, C <sub>L</sub> = 1.0nF, Figure 4		18		pC	
Off-Isolation (Note 6)	V <sub>ISO</sub>	C <sub>L</sub> = 5pF, R <sub>L</sub> = 100Ω, f = 10MHz, Figure 5	f = 10MHz	-47		dB	
			f = 1MHz	-67			
Crosstalk (Note 7)	V <sub>CT</sub>	C <sub>L</sub> = 5pF, R <sub>L</sub> = 100Ω, f = 10MHz, Figure 5	f = 10MHz	-68		dB	
			f = 1MHz	-114			
NO_, NC_ Off-Capacitance	C <sub>NO(OFF)</sub> , C <sub>NC(OFF)</sub>	V <sub>NO</sub> or V <sub>NC</sub> = GND, f = 1MHz, Figure 6		10		pF	
COM_ Off-Capacitance	C <sub>COM(OFF)</sub>	V <sub>COM</sub> = GND, f = 1MHz, Figure 6		20		pF	
COM_ On-Capacitance	C <sub>(ON)</sub>	V <sub>COM</sub> = V <sub>NO</sub> , V <sub>NC</sub> = GND, f = 1MHz, Figure 6		30		pF	
<b>SUPPLY</b>							
Positive Supply Current	I+	V+ = 3.3V, V <sub>IN</sub> = 0 or V+		0.001	1.0	μA	

**Note 2:** The algebraic convention, where the most negative value is a minimum and the most positive value a maximum, is used in this data sheet.

**Note 3:**  $\Delta R_{ON} = R_{ON(MAX)} - R_{ON(MIN)}$ .

**Note 4:** Flatness is defined as the difference between the maximum and minimum value of on-resistance as measured over the specified analog signal range.

**Note 5:** Guaranteed by design.

**Note 6:** Off-Isolation =  $20 \log_{10} (V_{COM}/V_{NO})$ , V<sub>COM</sub> = output, V<sub>NO</sub> = input to off switch.

**Note 7:** Between any two switches.

**Note 8:**  $\Delta R_{ON}$  matching specifications for QFN packaged parts are guaranteed by design.

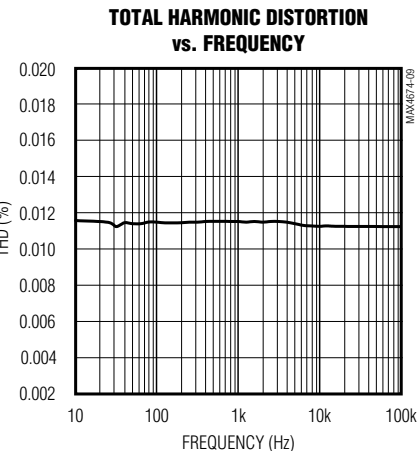
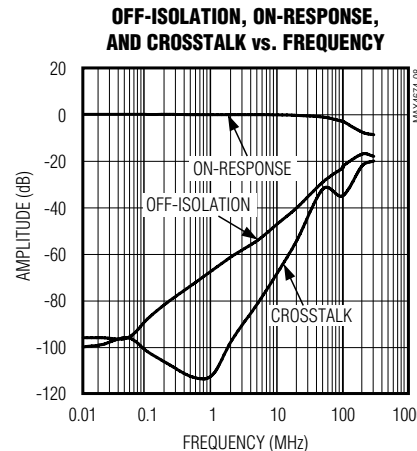
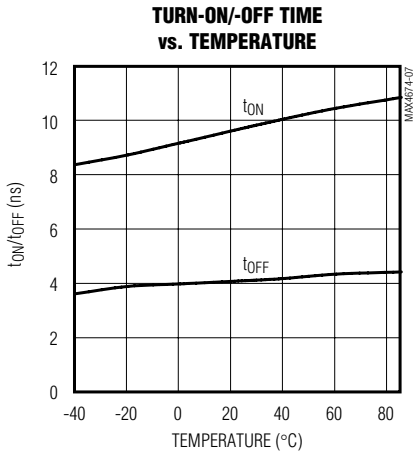
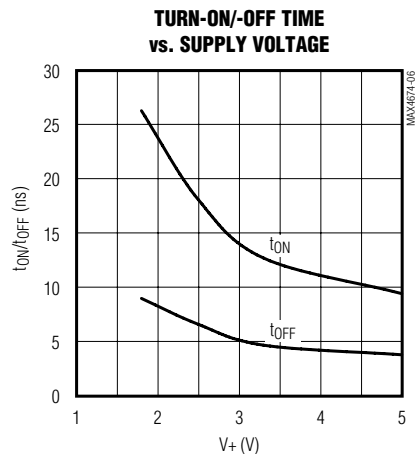
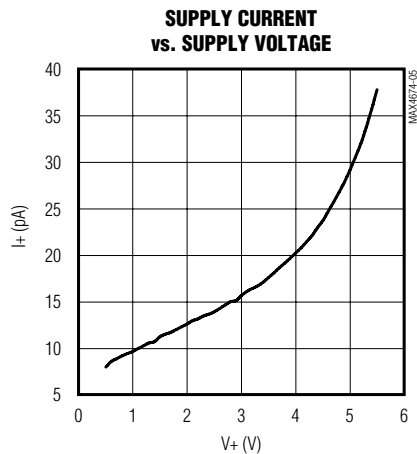
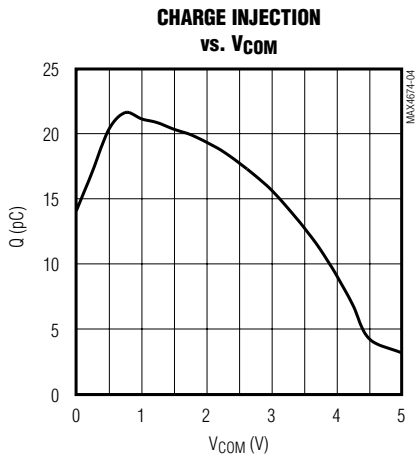
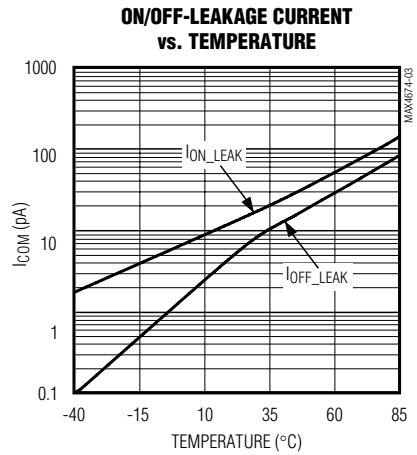
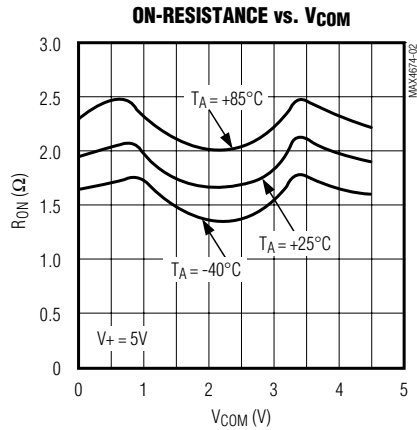
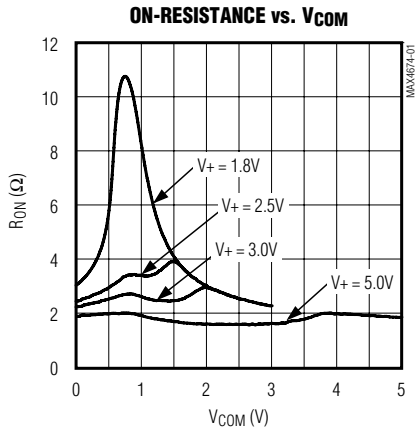
**Note 9:** Parts are tested at the maximum hot-rated temperature. Limits across the entire temperature range are guaranteed by design and correlation.

# 3V/5V, 4Ω, Wideband Quad 2:1 Analog Multiplexer

## Typical Operating Characteristics

(V+ = +5V, T<sub>A</sub> = +25°C, unless otherwise noted.)

MAX4674



# 3V/5V, 4Ω, Wideband Quad 2:1 Analog Multiplexer

## Pin Description

PIN			NAME	FUNCTION
QSOP/TSSOP/SO	20 QFN	16 QFN		
1	20	15	A0	Address Input
2	1	16	NC1	Normally Closed Terminal
3	2	1	NO1	Normally Open Terminal
4	3	2	COM1	Analog Switch Common Terminal
5	4	3	NC2	Normally Closed Terminal
6	5	4	NO2	Normally Open Terminal
7	6	5	COM2	Analog Switch Common Terminal
—	7, 9, 17, 19	—	N.C.	No Connection
8	8	6	GND	Ground
9	10	7	COM3	Analog Switch Common Terminal
10	11	8	NO3	Normally Open Terminal
11	12	9	NC3	Normally Closed Terminal
12	13	10	COM4	Analog Switch Common Terminal
13	14	11	NO4	Normally Open Terminal
14	15	12	NC4	Normally Closed Terminal
15	16	13	$\overline{\text{EN}}$	Output Enable, Active Low
16	18	14	V+	Positive Supply Voltage

### Detailed Description

The MAX4674 is a low on-resistance ( $R_{ON}$ ), low-voltage, quad 2:1 analog multiplexer/demultiplexer that operates from a +1.8V to +5.5V single supply. The MAX4674 features very fast switching speed ( $t_{ON} = 18\text{ns}$  max,  $t_{OFF} = 6\text{ns}$  max) and guaranteed break-before-make switching. Its low  $R_{ON}$  allows high continuous currents to be switched in a variety of applications.

#### Digital Interface

A0 and  $\overline{\text{EN}}$  are CMOS digital inputs that meet TTL logic levels when  $V_+ = 5\text{V}$ . Note that A0 and  $\overline{\text{EN}}$  can exceed the voltage at  $V_+$  to a maximum of +5.5V. This feature allows operation of the MAX4674 from a +3.3V supply while controlling it with 5V CMOS logic signals.

The *Pin Configuration/Functional Diagram/Truth Table* located on the first page of this data sheet details the operation of the MAX4674.

### Applications Information

#### Power-Supply Considerations

##### Overview

The MAX4674 construction is typical of most CMOS analog switches. It has two supply pins,  $V_+$  and GND, used to drive the internal CMOS switches and set the

limits of the analog voltage on any switches. Reverse ESD-protection diodes are internally connected between each analog-signal pin and both  $V_+$  and GND. If any analog signal exceeds  $V_+$  and GND, one of these diodes conducts. During normal operation, these and other reverse-biased ESD diodes leak, forming the only current drawn from  $V_{CC}$  or GND.

Virtually all the analog leakage current comes from the ESD diodes. Although the ESD diodes on a given signal pin are identical and therefore fairly well balanced, they are reverse biased differently. Each is biased by either  $V_+$  or GND and the analog signal. This means their leakages will vary as the signal varies. The difference in the two-diode leakages to the  $V_+$  and GND pins constitutes the analog-signal-path leakage current. All analog leakage current flows between each pin and one of the supply terminals, not to the other switch terminal, which is why both sides of a given switch can show leakage currents of either the same or opposite polarity.

$V_+$  and GND power the internal logic and set the input logic limits. Logic inputs have ESD-protection diodes to ground.

The logic-level thresholds are TTL/CMOS compatible when  $V_+$  is +5V. As  $V_+$  rises, the threshold increases; as  $V_+$  falls, the threshold decreases. For example,

## 3V/5V, 4Ω, Wideband Quad 2:1 Analog Multiplexer

when  $V_+ = +3V$ , the guaranteed minimum logic-high threshold decreases to 2.0V.

### Low-Voltage Operation

The MAX4674 operates from a single supply between +1.8V and +5.5V. At room temperature, it actually “works” with a single supply near or below +1.7V; as supply voltage decreases, however, switch on-resistance becomes very high.

### Overvoltage Protection

Proper power-supply sequencing is recommended for all CMOS devices. Do not exceed the absolute maximum ratings because stresses beyond the listed ratings can cause permanent damage to the device. Always sequence  $V_+$  on first, followed by the logic inputs and analog signals. If power-supply sequencing is not possible, add two small signal diodes (D1, D2) in series with the supply pins for overvoltage protection (Figure 1).

Adding diodes reduces the analog-signal range to one diode drop below  $V_+$  and one diode drop above GND, but does not affect the device’s low switch resistance and low leakage characteristics. Device operation is unchanged, and the difference between  $V_+$  and GND should not exceed 6V. These protection diodes are not recommended if signal levels must extend to ground.

### High-Frequency Performance

In  $50\Omega$  systems, signal response is reasonably flat up to 50MHz (see *Typical Operating Characteristics*). Above 20MHz, the on response has several minor peaks that are highly layout dependent. The problem is not turning the switch on, but turning it off. The off-state switch acts like a capacitor and passes higher frequencies with less attenuation. At 10MHz, off-isolation is about -50dB in  $50\Omega$  systems, becoming worse (approximately 20dB per decade) as frequency increases. Higher circuit impedances also degrade off-isolation. Adjacent channel attenuation is about 3dB above that of a bare IC socket and is entirely due to capacitive coupling.

### Chip Information

TRANSISTOR COUNT: 478

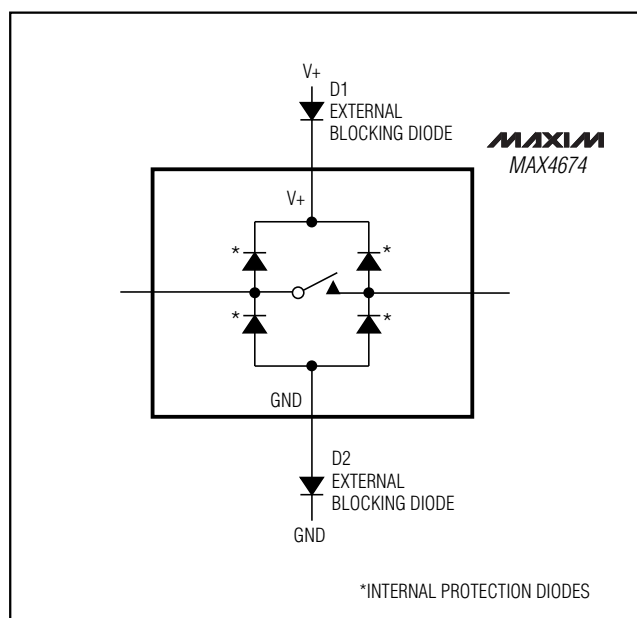


Figure 1. Overvoltage Protection Using External Blocking Diodes

# 3V/5V, 4Ω, Wideband Quad 2:1 Analog Multiplexer

## Test Circuits/Timing Diagrams

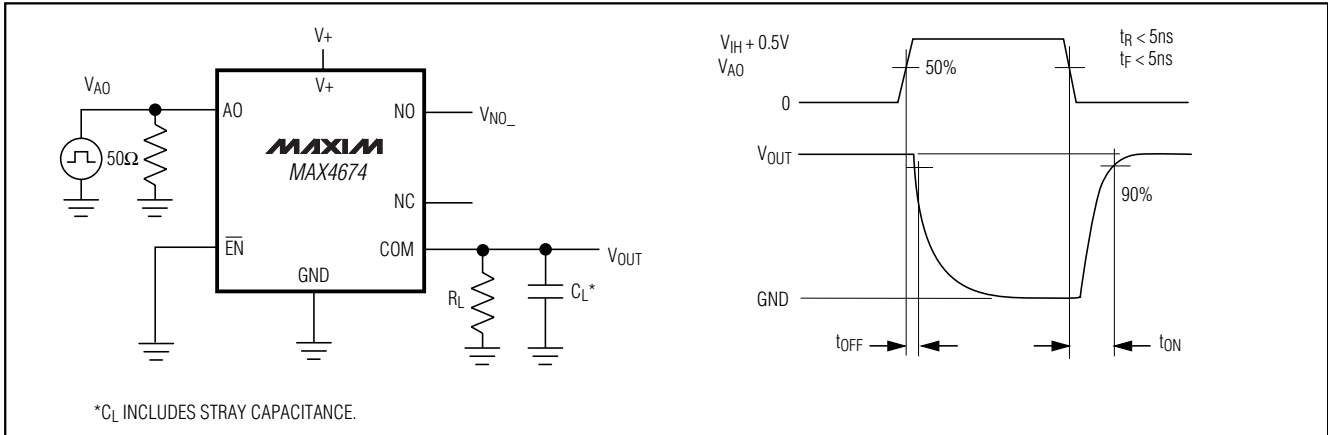


Figure 2. Turn-On and Turn-Off Times

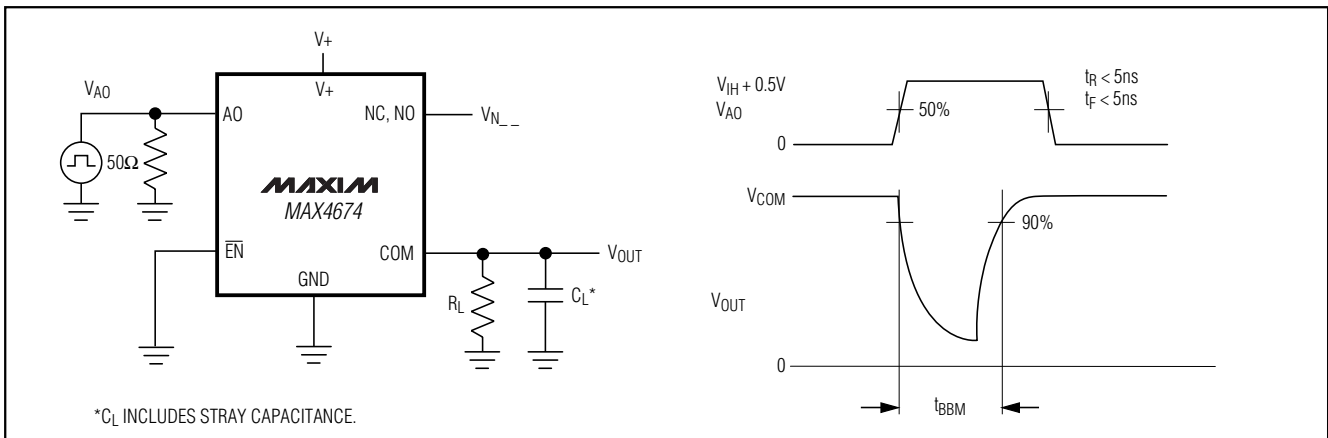


Figure 3. Break-Before-Make Interval

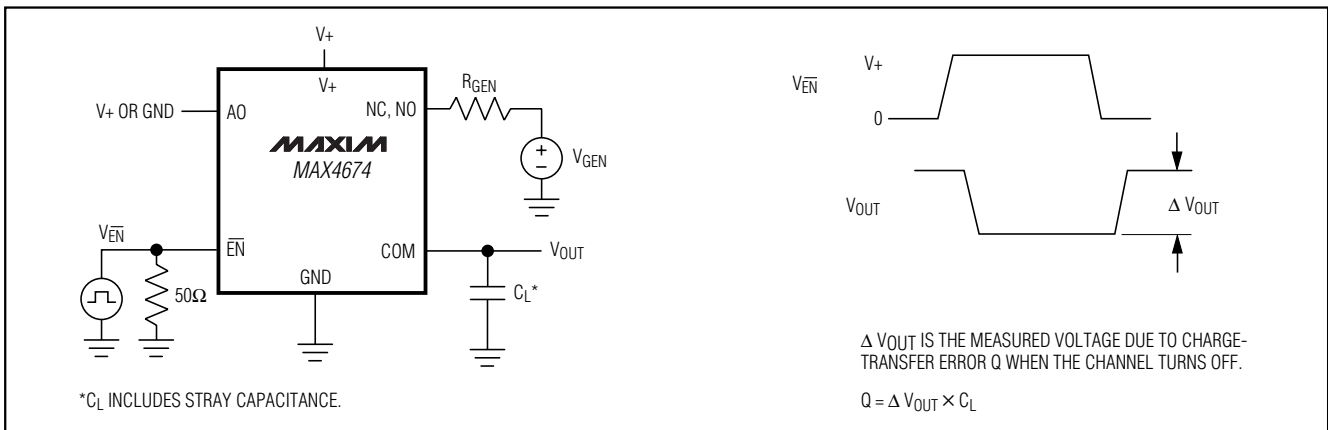


Figure 4. Charge Injection



# 3V/5V, 4Ω, Wideband Quad 2:1 Analog Multiplexer

## Test Circuits/Timing Diagrams (continued)

**MAX4674**

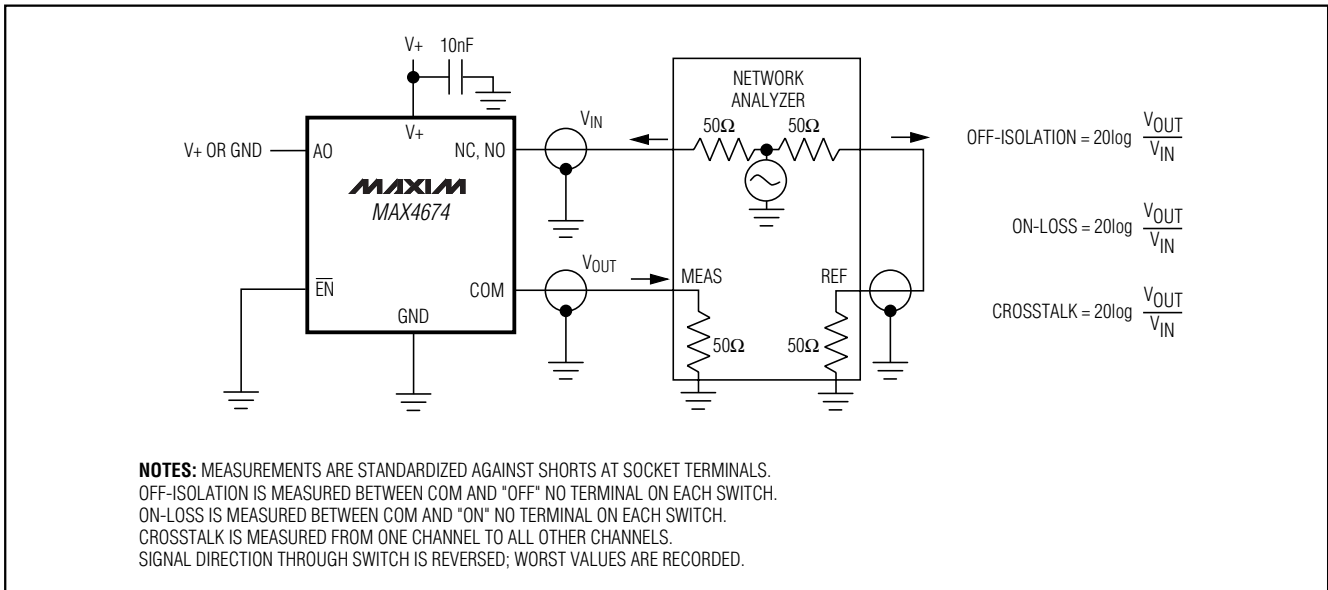


Figure 5. Off-Isolation, On-Loss, and Crosstalk

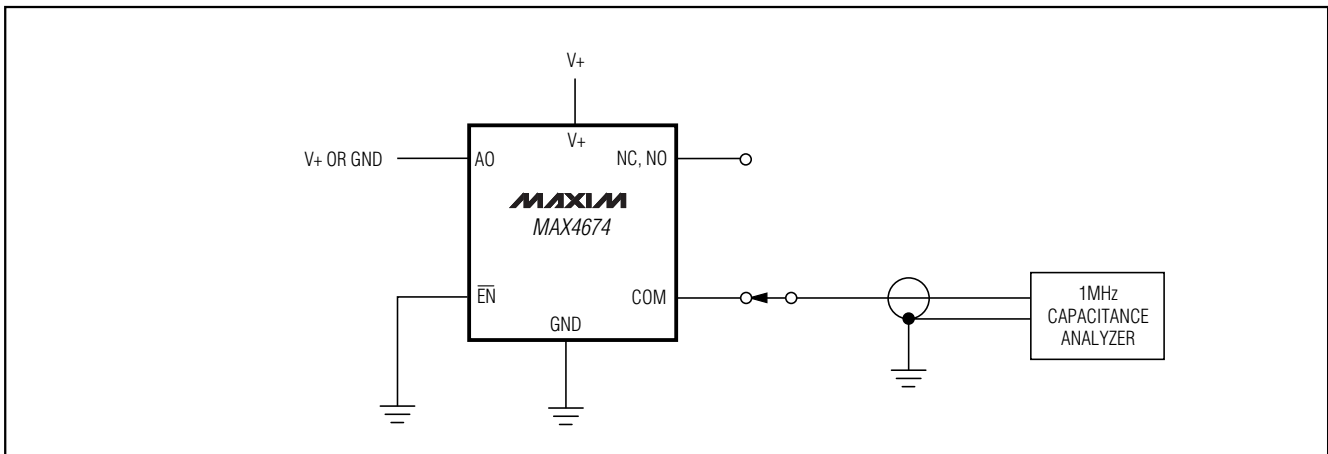


Figure 6. Capacitance

# 3V/5V, 4Ω, Wideband Quad 2:1 Analog Multiplexer

## Package Information

DIM	INCHES		MILLIMETERS	
	MIN	MAX	MIN	MAX
A	.061	.068	1.55	1.73
A1	.004	.0098	0.102	0.249
A2	.055	.061	1.40	1.55
B	.008	.012	0.20	0.31
C	.0075	.0098	0.191	0.249
D	SEE VARIATIONS			
E	.150	.157	3.81	3.99
e	.025 BSC		0.635 BSC	
H	.230	.244	5.84	6.20
h	.010	.016	0.25	0.41
L	.016	.035	0.41	0.89
N	SEE VARIATIONS			
X	SEE VARIATIONS			
Y	.071	.087	1.803	2.209
α	0°	8°	0°	8°

DIM	INCHES		MILLIMETERS		N
	MIN.	MAX.	MIN.	MAX.	
D	.189	.196	4.80	4.98	16 AA
S	.0020	.0070	0.05	0.18	
X	.107	.123	2.72	3.12	
D	.337	.344	8.56	8.74	20 AB
S	.0500	.0550	1.270	1.397	
D	.337	.344	8.56	8.74	24 AC
S	.0250	.0300	0.635	0.762	
D	.386	.393	9.80	9.98	28 AD
S	.0250	.0300	0.635	0.762	
X	.271	.287	6.88	7.29	

VARIATIONS:

NOTES:

- D & E DO NOT INCLUDE MOLD FLASH OR PROTRUSIONS.
- MOLD FLASH OR PROTRUSIONS NOT TO EXCEED .006" PER SIDE.
- HEAT SLUG DIMENSIONS X AND Y APPLY ONLY TO 16 AND 28 LEAD POWER-QSOP PACKAGES.
- CONTROLLING DIMENSIONS: INCHES.
- MEETS JEDEC MQ137.

MAXIM  
 PROPRIETARY INFORMATION  
 TITLE: PACKAGE OUTLINE, QSOP, .150", .025" LEAD PITCH  
 APPROVAL: \_\_\_\_\_ DOCUMENT CONTROL NO. 21-0055 REV. C 1/1

DIM	MILLIMETERS		INCHES	
	MIN.	MAX.	MIN.	MAX.
A	1.10	.002	0.043	
A1	0.05	0.15	0.002	0.06
A2	0.85	0.95	0.33	0.37
b	0.19	0.30	0.07	0.12
b1	0.19	0.25	0.07	0.10
c	0.990	0.20	0.035	0.08
c1	0.090	0.135	0.035	0.053
D	SEE VARIATIONS		SEE VARIATIONS	
E	4.30	4.50	.169	.177
e	0.65 BSC		.026 BSC	
H	6.25	6.50	.246	.256
h	0.50	0.70	.020	.028
N	SEE VARIATIONS		SEE VARIATIONS	
Y	2.85	3.15	.112	.124
α	0°	8°	0°	8°

JEDEC	N	VARIATIONS				
		MILLIMETERS		INCHES		
MD-153		MIN.	MAX.	MIN.	MAX.	
AB	14	4.90	5.10	.193	.201	
AC	16	4.90	5.10	.193	.201	
AC-EP	16	4.90	5.10	.193	.201	
AD	20	6.40	6.60	.252	.260	
AD-EP	20	6.40	6.60	.252	.260	
AE	24	7.70	7.90	.303	.311	
AF	28	9.60	9.80	.378	.386	
AF-EP	28	9.60	9.80	.378	.386	
		X	5.35	5.65	.211	.222

NOTES:

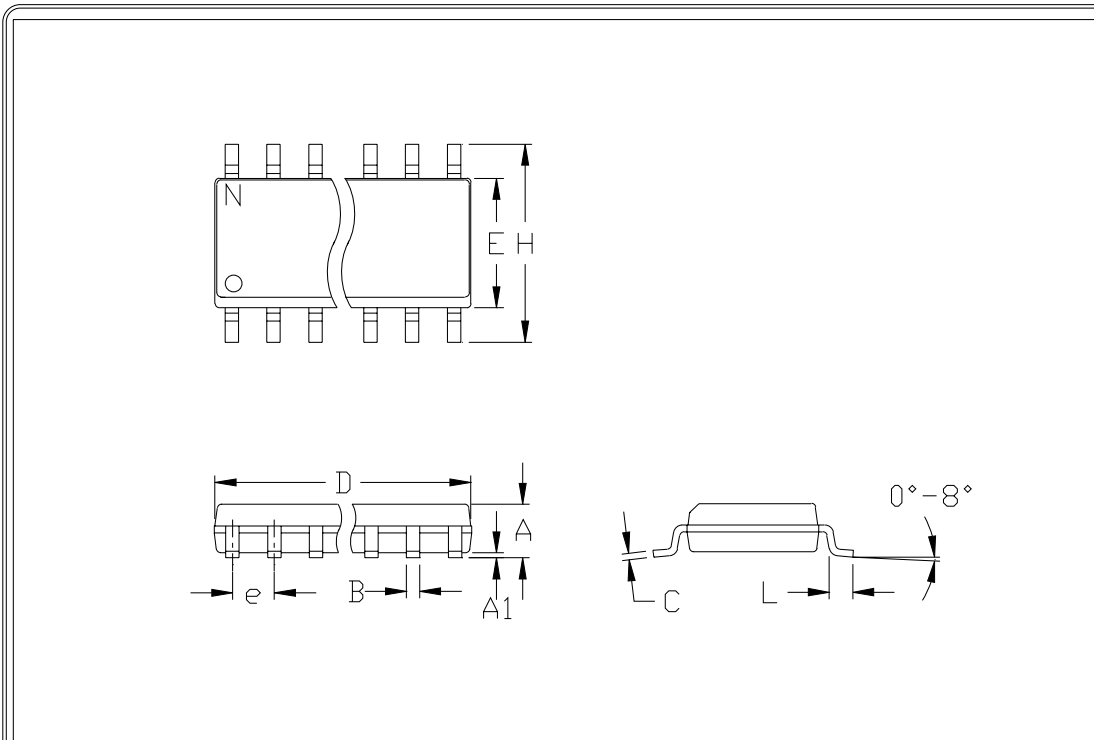
- DIMENSIONS D AND E DO NOT INCLUDE FLASH.
- MOLD FLASH OR PROTRUSIONS NOT TO EXCEED .15 mm PER SIDE.
- CONTROLLING DIMENSION: MILLIMETER.
- MEETS JEDEC OUTLINE MD-153 VARIATIONS AB, AC, AD, AE, AF.
- DIMENSIONS X AND Y APPLY TO EXPOSED PAD (EP) VERSIONS ONLY.
- EXPOSED PAD FLUSH WITH BOTTOM OF PACKAGE WITHIN .002".

MAXIM  
 PROPRIETARY INFORMATION  
 TITLE: PACKAGE OUTLINE, TSSOP, 4.40mm BODY, 0.65mm PITCH  
 APPROVAL: \_\_\_\_\_ DOCUMENT CONTROL NO. 21-0066 REV. C 1/1

# 3V/5V, 4Ω, Wideband Quad 2:1 Analog Multiplexer

Package Information (continued)

MAX4674



	INCHES		MILLIMETERS	
	MIN	MAX	MIN	MAX
A	0.053	0.069	1.35	1.75
A1	0.004	0.010	0.10	0.25
B	0.014	0.019	0.35	0.49
C	0.007	0.010	0.19	0.25
e	0.050		1.27	
E	0.150	0.157	3.80	4.00
H	0.228	0.244	5.80	6.20
h	0.010	0.020	0.25	0.50
L	0.016	0.050	0.40	1.27

	INCHES		MILLIMETERS		N	MS012
	MIN	MAX	MIN	MAX		
D	0.189	0.197	4.80	5.00	8	A
D	0.337	0.344	8.55	8.75	14	B
D	0.386	0.394	9.80	10.00	16	C

NOTES:

1. D&E DO NOT INCLUDE MOLD FLASH
2. MOLD FLASH OR PROTRUSIONS NOT TO EXCEED .15mm (.006")
3. LEADS TO BE COPLANAR WITHIN .102mm (.004")
4. CONTROLLING DIMENSION: MILLIMETER
5. MEETS JEDEC MS012-XX AS SHOWN IN ABOVE TABLE
6. N = NUMBER OF PINS

**MAXIM**  
120 SAN GABRIEL DR. SUNNYVALE CA 94086 FAX (408) 737 7754  
PROPRIETARY INFORMATION

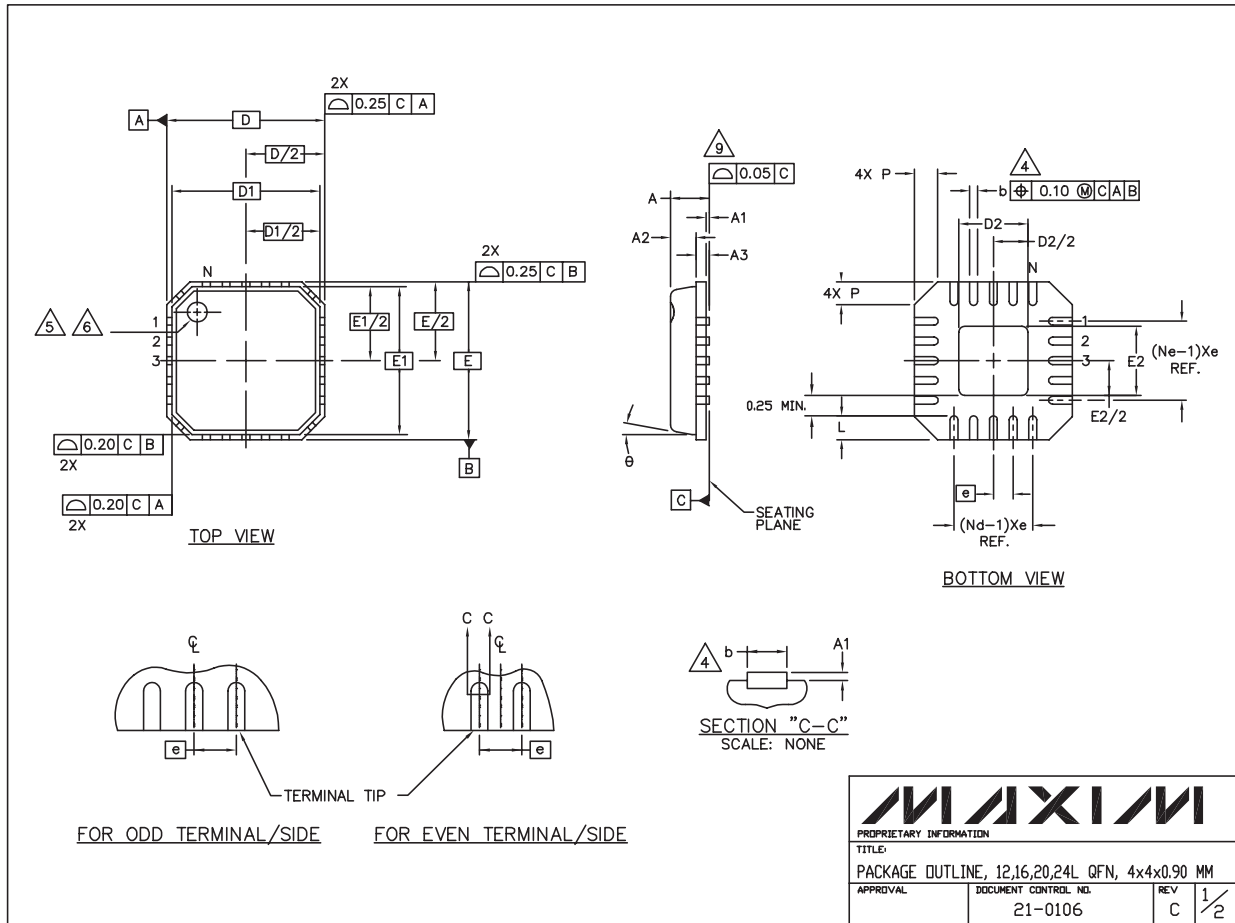
PACKAGE FAMILY OUTLINE: SOIC .150"  
TITLE

1/1

21-0041 A  
DOCUMENT CONTROL NUMBER REV

# 3V/5V, 4Ω, Wideband Quad 2:1 Analog Multiplexer

## Package Information (continued)

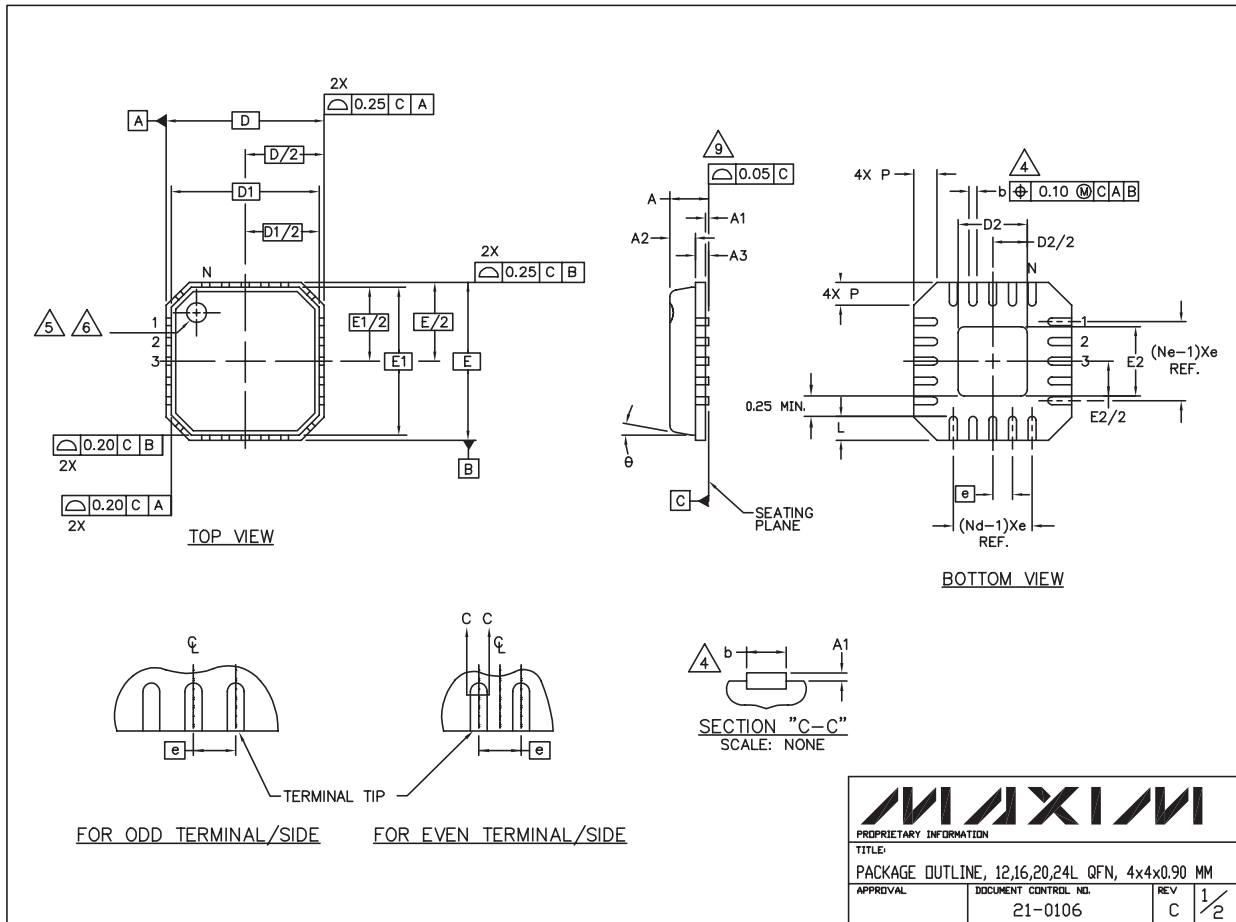


<b>MAXIM</b>			
PROPRIETARY INFORMATION			
TITLE:			
PACKAGE OUTLINE, 12,16,20,24L QFN, 4x4x0.90 MM			
APPROVAL	DOCUMENT CONTROL NO.	REV	1/2
	21-0106	C	

# 3V/5V, 4Ω, Wideband Quad 2:1 Analog Multiplexer

## Package Information (continued)

**MAX4674**



Maxim cannot assume responsibility for use of any circuitry other than circuitry entirely embodied in a Maxim product. No circuit patent licenses are implied. Maxim reserves the right to change the circuitry and specifications without notice at any time.

Maxim Integrated Products, 120 San Gabriel Drive, Sunnyvale, CA 94086 408-737-7600 13